



ECRN-100 HIGH RESOLUTION RAIN GAUGE

METER



ECRN-100 QUICK START

Preparation

Inspect and verify that ECRN-100 components are intact.

Set up and test the system (sensors and data loggers) in a lab or office. Check metergroup.com/zl6-support for firmware and software updates for METER Group's ZL6 data logger.

NOTE: The ECRN-100 rain gauge is analog and will not be automatically detected in ZENTRA Utility!

To avoid data collection errors, connect the ECRN-100 rain gauge to the data logger and the data logger to a computer.

1. Open ZENTRA Utility.
2. Locate the port number the sensor is connected to and click or select the port.

This will open the Sensor Configuration tab.

3. In the Sensor Configuration tab, use the drop-down menu next to **Sensor Type** to find the ECRN-100 option under **Environmental**.
4. Select ECRN-100 and then select **OK**.

Read the ECRN-100 complete specifications at: metergroup.com/products/ecrn-100-rain-gauge/.

Resolution	Volume Per Tip	Rainfall Per Tip
1 tip	4.02 ml/tip	0.2 mm

Installation will require a 31.8- to 50.8-mm (1.25- to 2.00-in) diameter mounting pole.

Before beginning installation, consider the surroundings and avoid obstructions. Most accurate rain gauge measurements are obtained through installations close to the ground or plant canopy and with a wind shield around the rain gauge to minimize rainfall under-catch from wind blowing across the rain gauge intake. However, this is not always practical, especially if objects above the rain gauge could shield it from receiving representative rainfall.

All products have a 30-day satisfaction guarantee.

ATTENTION

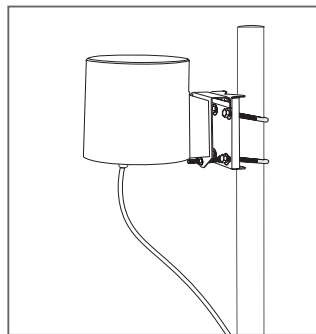
For best results, use the latest versions of METER software and firmware for the computer or mobile device, products, and sensors. Please use the software Help menu to find updates. Consult the sensor user manual for more troubleshooting tips.

Installation

1. Mount the rain gauge

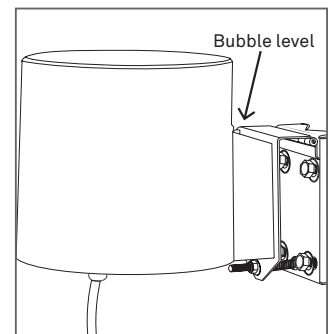
Use the ECRN-100 bracket to mount the rain gauge to the mounting pole at the desired height.

Use a wrench to tighten the bolts, securing the rain gauge to the pole.



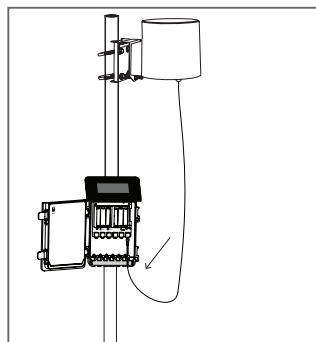
2. Level the rain gauge

Ensure the rain gauge is level using the bubble level.



2. Connect to data logger

Plug the sensor cable into the data logger. Use data logger software to apply appropriate settings to the sensors plugged into each data logger port.



4. Gather cables

Gather and secure the cables to the mounting pole in one or more places to relieve strain on the connections.

