



METER

# SATURO<sup>®</sup>

## Water Level Sensor Replacement

### Preparation

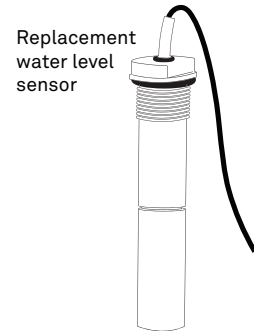
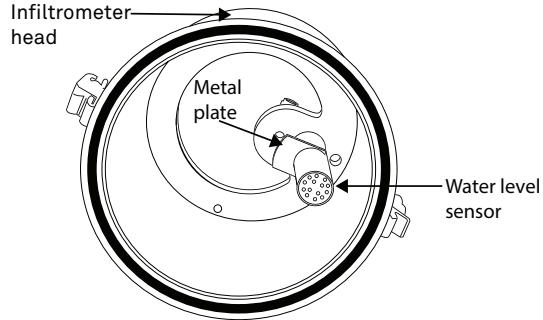
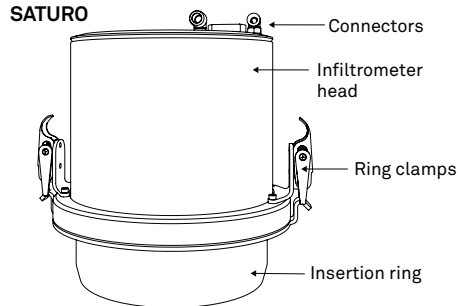
Confirm that the SATURO water level sensor replacement components are intact. Contact Customer Support with any replacement parts issues.

Follow the new sensor installation steps included in this document to remove the old water level sensor before installing the new one.

For installation, gather supplies and tools:

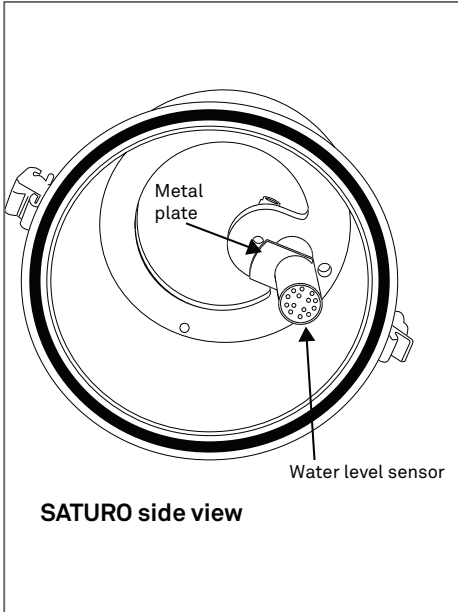
- Replacement water level sensor (included)
- Vice grip wrench
- Vacuum grease (for o-ring proper seal)

Remove the insertion ring and gently clean any debris off the SATURO before replacing the water level sensor.

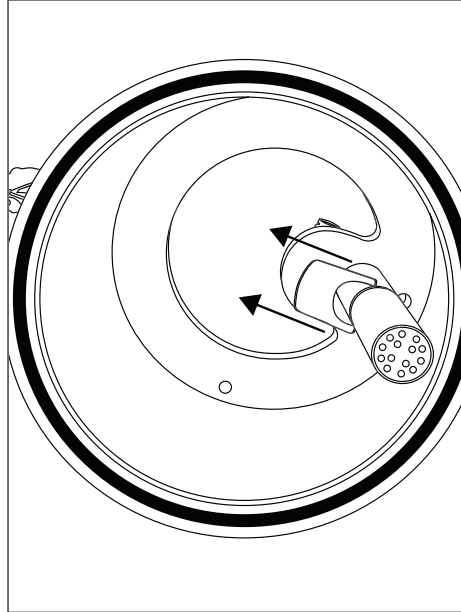


# New Sensor Installation

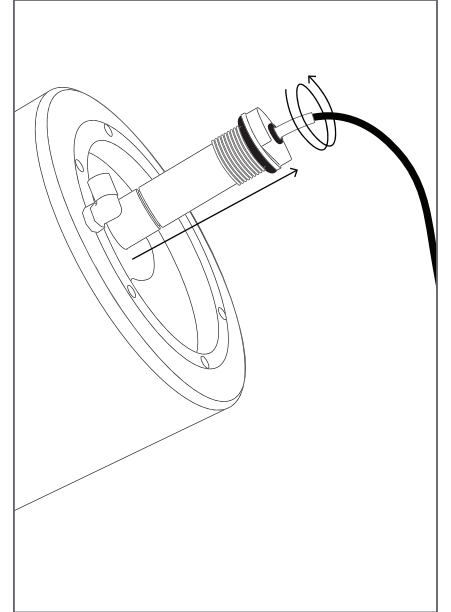
1. Turn the SATURO on its side or upside-down to view and remove the water level sensor.



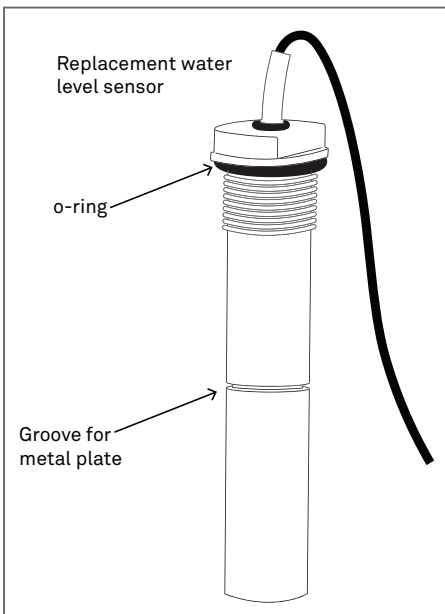
2. Pull metal plate away from the black cylinder casing of the water level sensor.  
Support the SATURO while pulling off the metal plate.



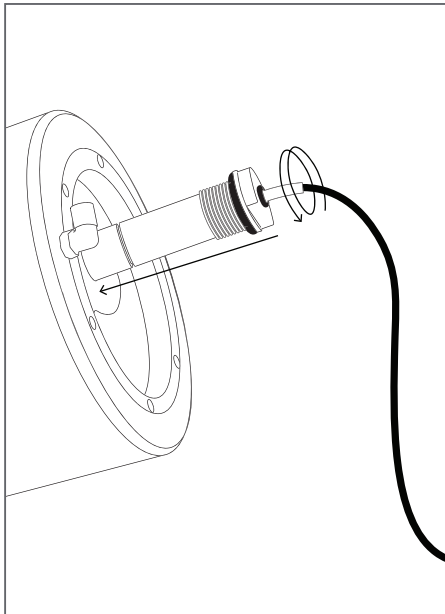
3. Unscrew the water level sensor cylinder.  
It should come loose with just hand turning. Use an adjustable wrench on the cylinder near the cable if needed.



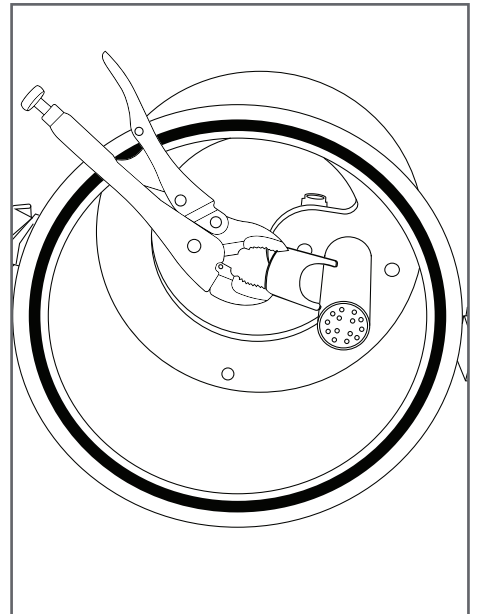
4. Apply a thin layer of vacuum grease to the o-ring.



5. Insert the new water level sensor (with greased o-ring) in the SATURO.  
Hand-tighten the new sensor into place.  
Guide the cord as the sensor is replaced to prevent tangling.



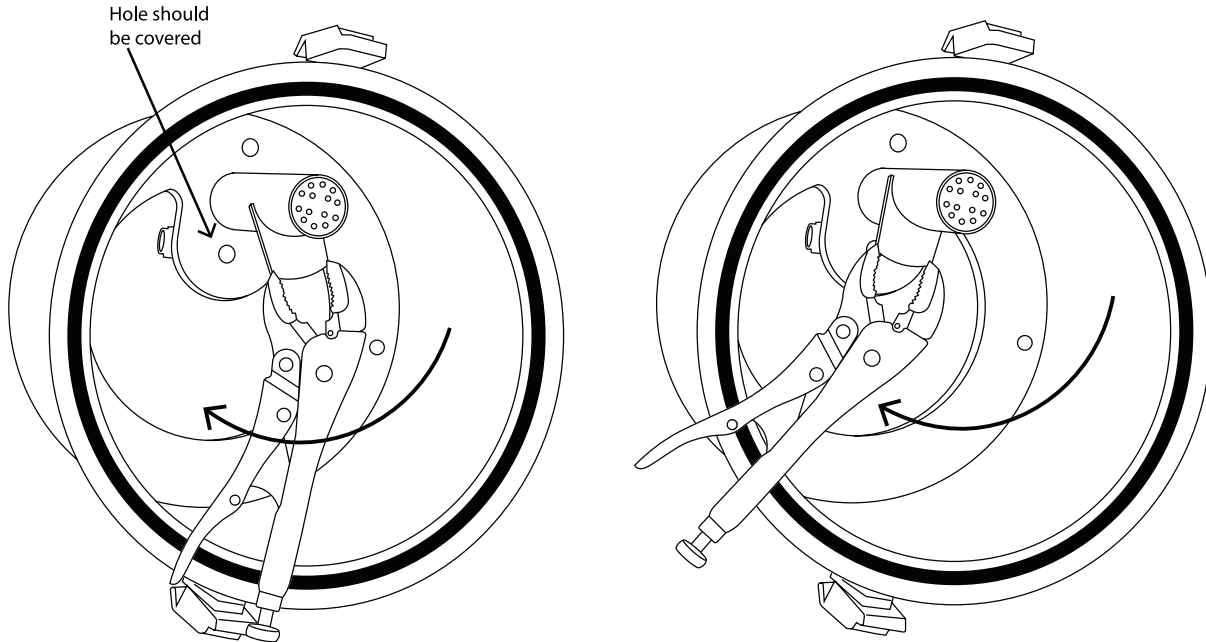
6. Place the metal plate into the groove of the water level sensor cylinder.  
Support the SATURO while pressing the metal plate back into place.  
It will click once installed.



**⚠ CAUTION:** Do not overtighten or force it to tighten once the cylinder stops turning.

**NOTE:** The metal plate will still be a little loose. Use channel locks or vice grips to tighten and adjust it.

7. Adjust and tighten the metal plate to cover the hole near the water level sensor cylinder.



**METER Group, Inc.**

2365 NE Hopkins Court, Pullman, WA 99163  
T +1.509.332.2756 F +1.509.332.5158  
E [info@metergroup.com](mailto:info@metergroup.com) W [metergroup.com](http://metergroup.com)

**NORTH AMERICA**

E [support.environment@metergroup.com](mailto:support.environment@metergroup.com)  
T +1.509.332.5600

**EUROPE**

E [support.europe@metergroup.com](mailto:support.europe@metergroup.com)  
T +49 89 12 66 52 0